

Single-lever mixer Pull-out

33 840 790



- 235 mm projection
- pivotable spout 360°
- air-enriched flow
- height of mixer 337 mm
- height up to aerator 300 mm
- hole diameter 35 mm
- fabric braided hose 1500 mm
- max. flow 8.8 l/min at 3 bar flow pressure
- lead-free
- This product can help a building to meet requirements of Green Building Rating Systems, e.g. LEED®, BREEAM®, DGNB

Intrinsic protection against back flow.

	Brushed Dark Platinum	33 840 790-99
	Chrome	33 840 790-00
	Brushed Platinum	33 840 790-06
	Platinum	33 840 790-08
	Dark Chrome	33 840 790-19
	Brushed Durabronze (23kt Gold)	33 840 790-28
	Brushed Champagne (22kt Gold)	33 840 790-46
	Champagne (22kt Gold)	33 840 790-47
	Brushed Chrome	33 840 790-93

Recommended miscellaneous

Dispenser without rosette

82 424 970-99



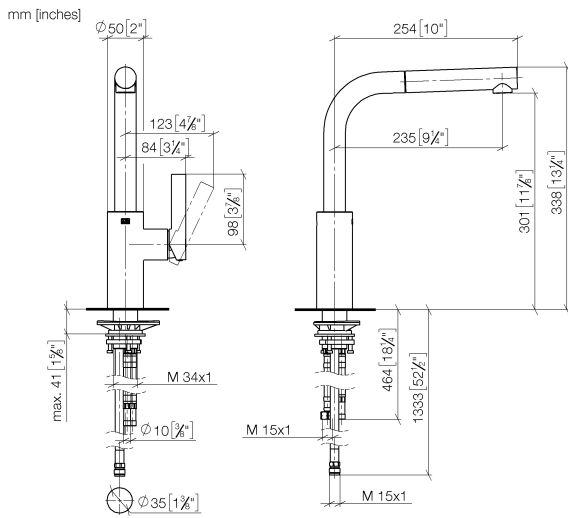
Recommended miscellaneous

Strainer waste with control handle 10 712 970-99

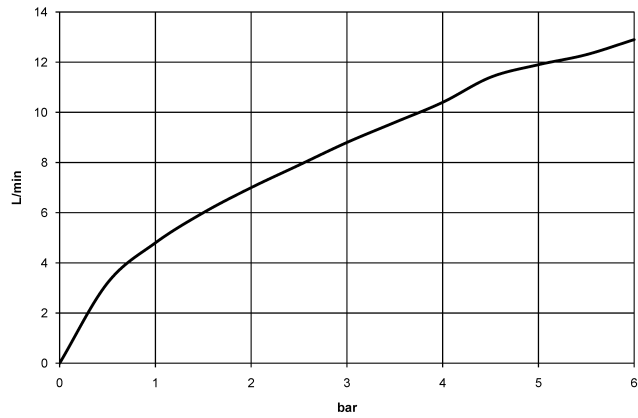


Single-lever mixer Pull-out

33 840 790



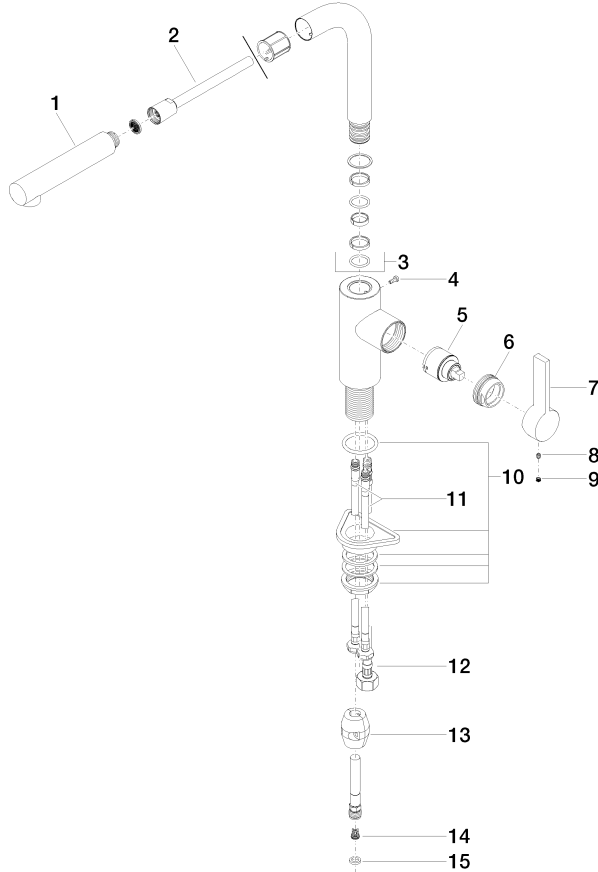
Flow rate chart



Single-lever mixer Pull-out

33 840 790

Parts for other finishes can be found here: [Chrome](#)



Spare parts list

No.	Item Number	Name	Quantity used	Delivery time
1	04 12 11 106 00-99	shower	1	30
2	04 30 02 059 00-99	hose	1	30
3	90 28 22 186 00-99	spout	1	30
4	09 30 30 054 90	screw	1	2
5	90 15 05 034 00 90	cartridge	1	60
6	09 24 04 141-99	nut	1	30
7	09 20 79 040-99	handle	1	30
8	09 31 11 030 90	pin	1	2
9	09 31 20 109 90	plug	1	2
10	04 23 10 044 02 90	fixing set	1	2
11	04 30 04 104 00 90	hose	2	2
12	04 30 04 029 00 90	hose	1	2
13	04 21 50 005 00 90	accessories	1	2
14	09 23 01 131 90	back-flow preventer	1	2
15	09 14 20 019 90	seal	1	2